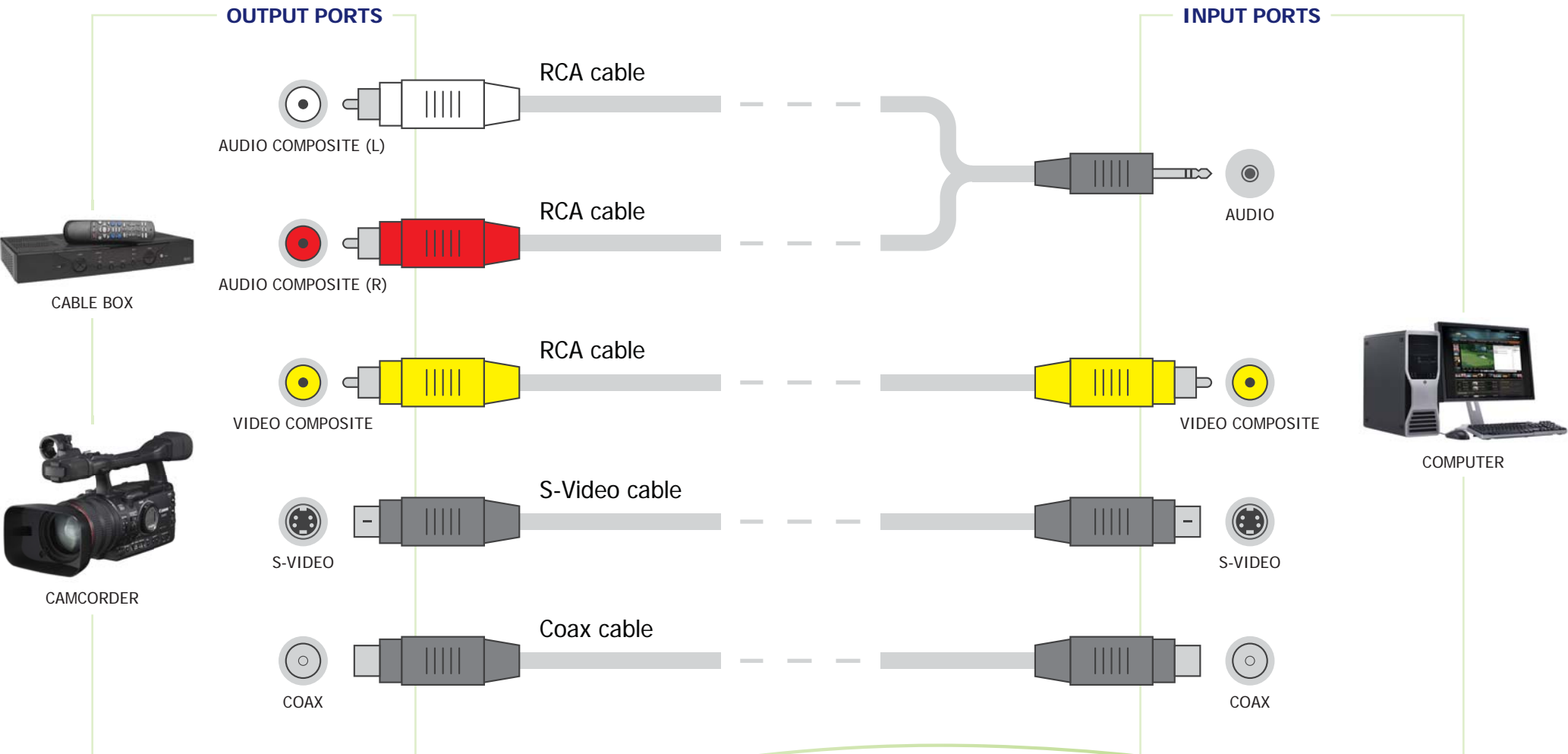


PROVEN BROADCASTING TUNER CARDS AND DEVICES

Board Name	URL	Video In Format	Audio Out	XP	Vista	Connection to PC	Encoding
Blackmagic Intensity Card	www.blackmagic-design.com	HDMI	✓	✓	✓	PCI Express	HD
ATI TV Wonder Pro A/V	www.amazon.com	S-Video Coax	✓	✓	✗	PCI Express	SD
KWorld Plus TV 120	www.newegg.com	S-Video Coax	✓	✓	✗	PCI Express	SD
AverMedia EZMaker USB Gold	www.aver.com	S-Video Composite	✓	✓	✓	USB	SD
LeadTek Winfast TV 200 XP	www.stores.yahoo.net	S-Video Coax Composite	✓	✓	✓	PCI Express	SD

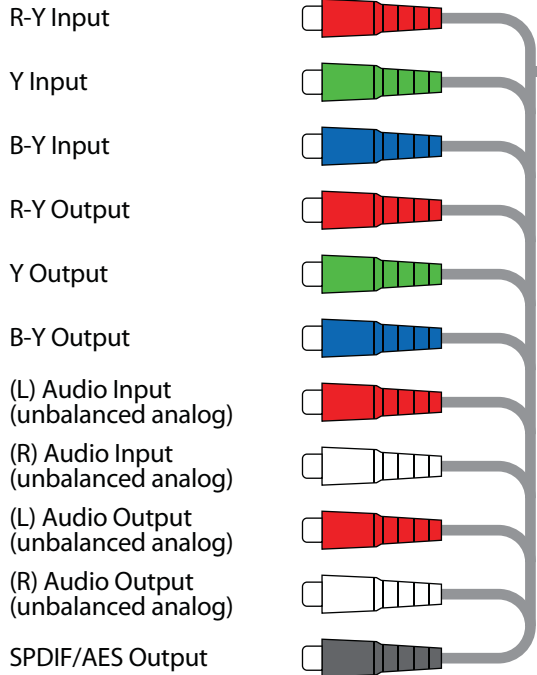
STANDARD DEFINITION CARD CONNECTIONS



HIGH DEFINITION CARD CONNECTIONS

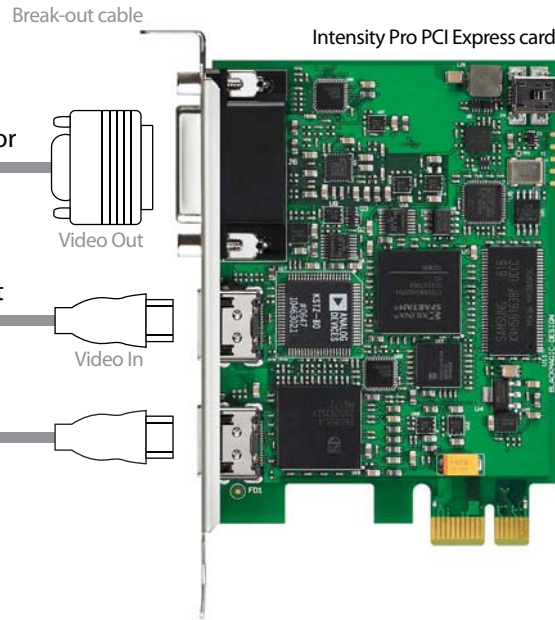
- I. Install the card
- II. Install the drivers
- III. Plug in the video source

a1. HDMI - insert into "Video In" input (at the outer side, the middle connector is HDMI output)
b1. COMPONENT - insert the 3 component connectors into "Y IN", "R-Y IN", "B-Y IN" of the break-out cable, match the colors
c1. COMPOSITE - insert composite connector into "Y IN" of the break-out cable.
d1. S-VIDEO - use an S-video to RCA adapter cable, plug into "Y IN", "B-Y IN" of the break-out cable



IV. Plug in the audio source

a2. HDMI audio - do nothing else
b2. RCA audio - plug into "AUDIO IN LEFT" and "AUDIO IN RIGHT" of the break-out cable
c2. External audio - plug your audio source into computer's Line-In or Microphone input



VI. Capture with blinko broadcaster

1. Open broadcaster
2. Select "Decklink Video Capture" as a video source
3. Choose the proper video format. If you are unsure of your video source capabilities try all formats until you see a correct picture in the video preview area.
4. Choose "Decklink Audio Capture" as an audio source in the **a2** or **b2** situations above; choose your default audio source in the **c2** situation above.

V. Configure

1. Open "Intensity" application in Control Panel
2. Choose the appropriate input in the "Set Input" drop-down:
 - a. Choose "HDMI Video & HDMI Audio" in the **a1&b1** situation above;
 - b. Choose "HDMI Video & Analog RCA Audio" in any of the **a1&b2**, **a1&c2** situations above
 - c. Choose "Y, R-Y, B-Y Video & Analog RCA Audio" in any of the **b1&b2**, **b1&c2** situations above
 - d. Choose "NTSC/PAL (Y In) & Analog RCA Audio" in any of the **c1&b2**, **c1&c2** situations above
 - e. Choose "S-Video & Analog RCA Audio" in any of the **d1&b2**, **d1&c2** situations above
3. Select a proper output processing. If you are unsure of your video source capabilities leave it to off and change later.